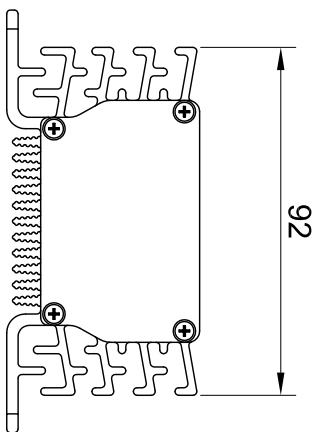
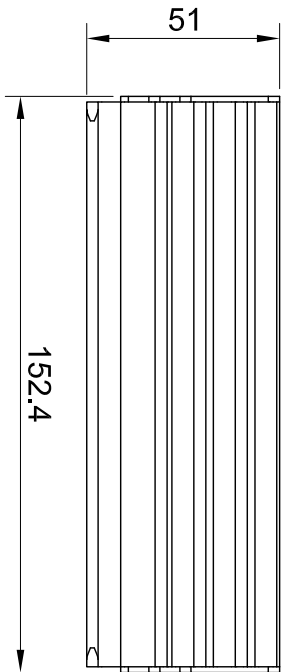
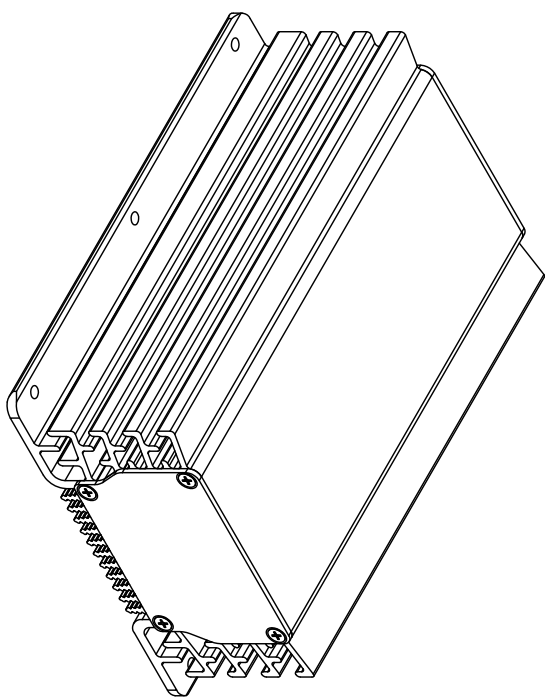
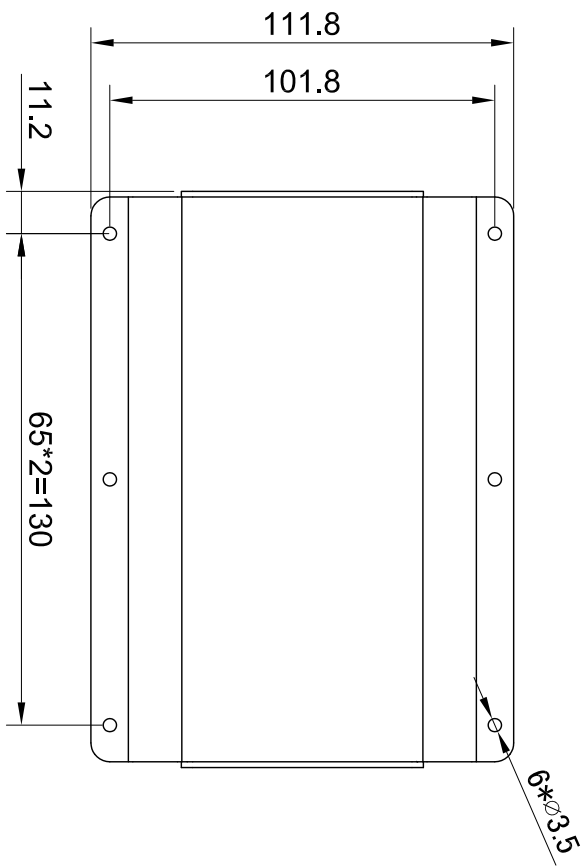


4

3

2

1



A

B

C

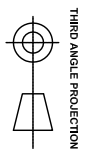
D

A

B

C

D



THIRD ANGLE PROJECTION

PROPRIETARY

THE INFORMATION CONTAINED IN THIS DRAWING IS THE
SOLE PROPERTY OF CHARGETEK, INC. ANY REPRO-
DUCTION IN PART OR WHOLE WITHOUT THE WRITTEN
PERMISSION OF CHARGETEK, INC. IS PROHIBITED.



LME Outline and mounting

SCALE:	SIZE:	DRAWING NUMBER:	REV:
	B		
	VERSION:		SHEET OF 1

4

3

2

1